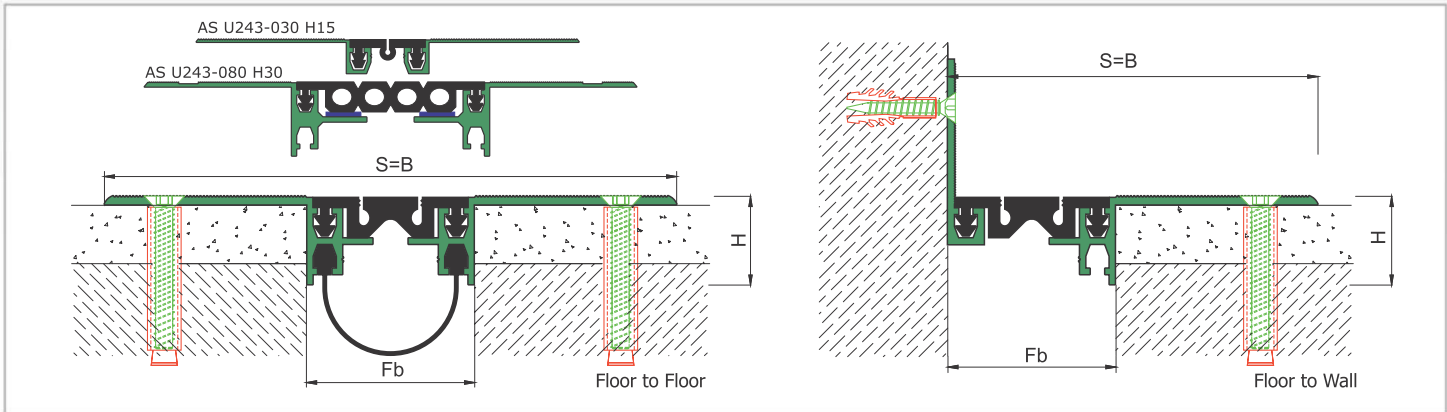
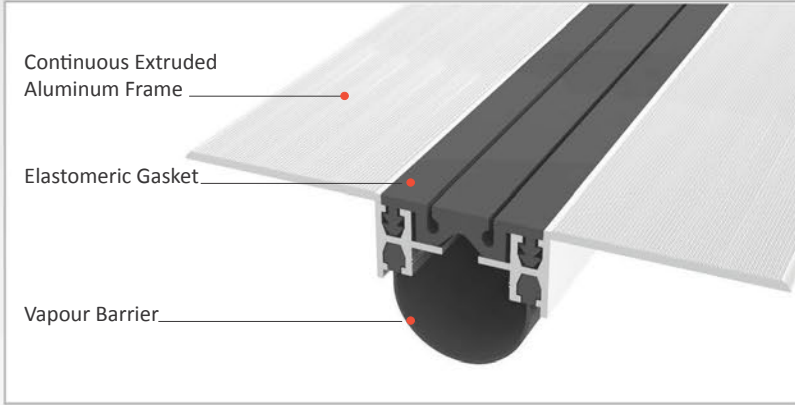




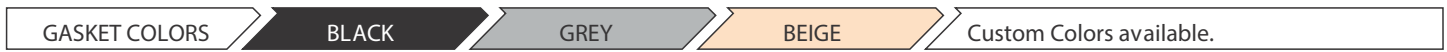
AS U243 surface mounted floor profile is applicable to all types of floors and load bearing capacity is designed for pedestrians or cars depending on the gap inquired. Push-down elastomeric gasket can quickly be placed into the slot and changed without demounting the profile. Smooth type gasket is available for 30 & 50 mm gaps but with less movement capability compared to grooved type. Two-way designed gasket slot lets the profile to be applied surface or flush mounted for some gaps. Striated surface ensures antislip.

- Application Areas** : Indoor & Outdoor / Floor
Ideal for : Car Parks, Shopping Malls, Airports, Residences, Hospitals, Commercial & Public Buildings etc.
Material : Mill Finish Aluminum (Anodizing optional), TPE Gasket
Aluminum Alloy : 6063 AA-USA / EN AW 6063
Optional Supplies : Fire Barrier, Waterproof EPDM membrane, Vapour Barrier

FLOOR



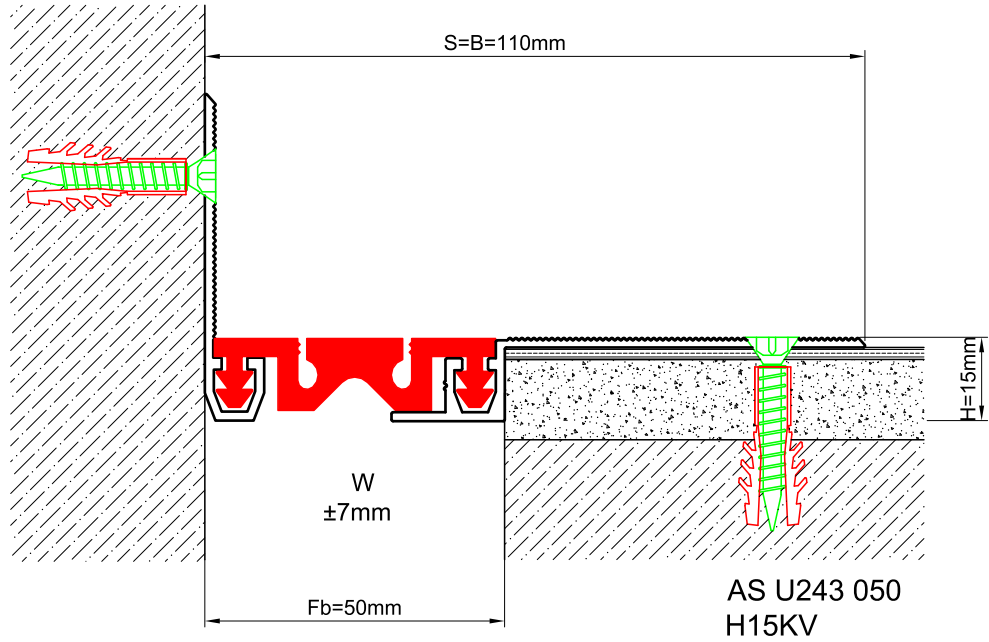
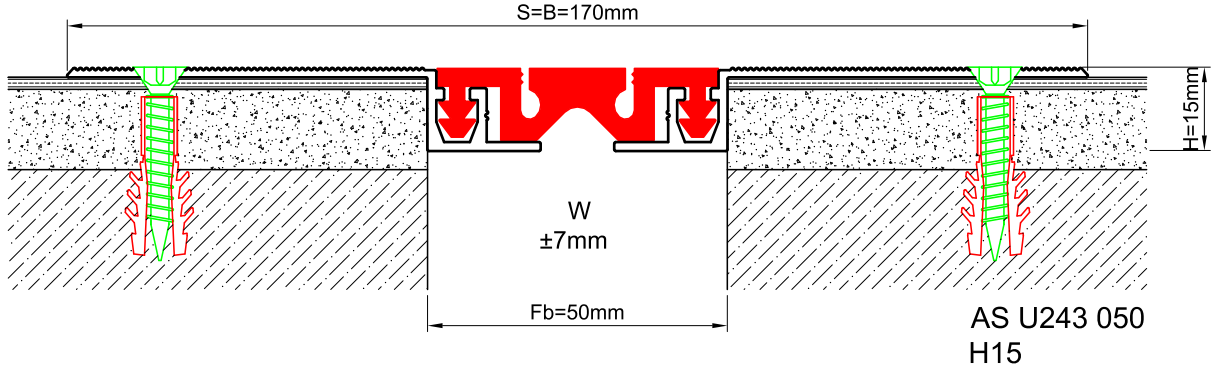
* Visuals are representative and the profile configuration may differ depending on the characteristics requested.



LOCATION	MODEL	GAP (Fb) mm	HEIGHT (H) MM	OVERALL WIDTH (B) mm	VISIBLE WIDTH (S) mm	MOVEMENT (W) mm	LOAD CAPACITY	STANDARD LENGTH (mt)
Floor to Floor	AS U243-024	24	26	120	120	± 4	Person	3
	AS U243-030	30	15	150	150	± 5	Person	3
	AS U243-030	30	26	150	150	± 5	Car	3
	AS U243-050	50	15	170	170	± 7	Person	3
	AS U243-050	50	26	170	170	± 7	Person	3
	AS U243-050	50	27	170	170	± 7	Car	3
	AS U243-080	80	30	200	200	± 10	Person	3
	AS U243-100	100	30	226	226	± 14	Person	3

Note: Please ask for different sizes





Profil No Profile Number	AS U243 050	AS U243 050K
Fb (mm)	50	50
H (mm) yaklaşık approx.	15	15
W± (mm) yaklaşık approx.	±7	±7
Renk Color	Alüminyum: Natürel, Fitiller: Siyah, gri, diğer Aluminum: Natural, Inserts: Black, grey, others	
Malzeme Material	Alüminyum, TPE Termoplastik Elastomer Aluminum, TPE Thermoplastic Elastomer	
Standart Uzunluk Standard Length	3	
Yükleme Kapasitesi Load-Bearing Capacity	